



Open RAN and OpenAirInterface – the perfect couple

Florian Kaltenberger, Eurecom



What is OpenAirInterface?

- Fully software-defined 3GPP-compliant RAN working with software defined radios (USRP)
 - 4G LTE since 2009
 - 5G NSA since 2020
 - 5G SA about to be released
- Open-source FRAND-friendly license
- Collaborative
 - >20 contributors from >10 organizations

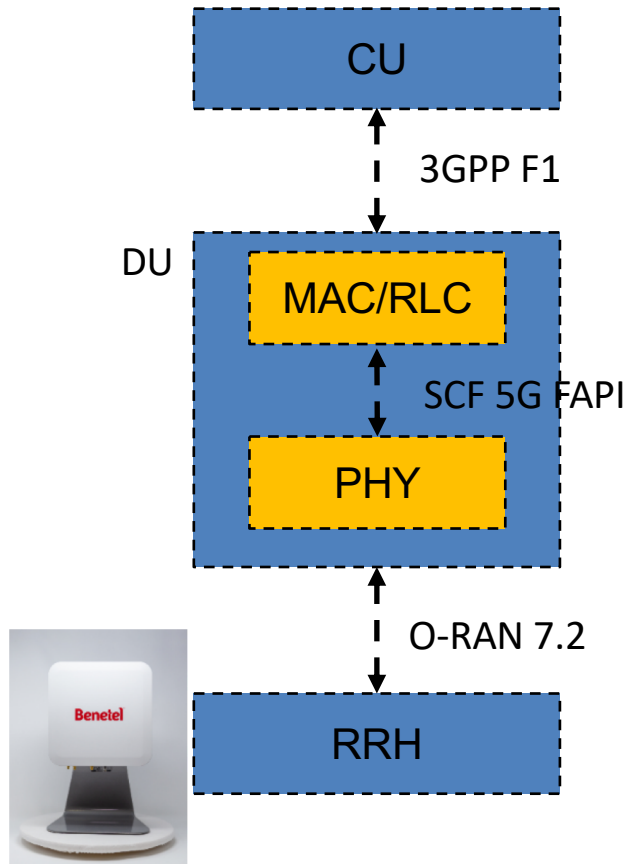
The OpenAirInterface Software Alliance (OSA)

- Current strategic members



- Many associate members
- Goals:
 - Promote OpenAirInterface and its open-source licensing model
 - Support the community of developers and users through continuous integration
 - Accept donations to maintain engineering support team

OpenAirInterface is O-RAN ready



- F1-C and F1-U
 - Under integration (Q2 2021)
- 5G FAPI
 - today all L1 procedures compliant with SCF 5G FAPI
 - nFAPI under integration (Q2 2021)
- Fronthaul
 - O-RAN 7.2 U-plane done (with Benetel)
 - Interoperability with other RRUs planned for 2H 2021
- E2 interface
 - Initial versions available (Mosaic5G, SD-RAN)
 - Commitment to be compliant

Open Research Topics

- Massive MIMO and open RAN:
 - Making beamforming reliable by intelligently coordinating beams between cells through the RIC
 - Can be especially powerful if combined with URLLC and unlicensed spectrum for Industry 4.0
- Joint communication and RF sensing
 - RF sensing can help RIC to improve decision making (location of users or other information)